



达伟(广东)新能源有限公司
Dawei (Guangdong) New Energy Co., Ltd.

Document
Revision
文件版本:01

DATE 日期:
2023/12/4

Page 页面:
共 12页 第 1页

Specification for Solar Inverter Power

太阳能逆变器规格书

Model (型号) :DW-G-6248JMH-6.2KW

Document No. 文件编号		Effective Date 生效日	2023/12/4
Revision 版本	01	Pages 页数	12
Approved 批准	Checked 审核	Designed 设计制作	
		罗正文	



达伟(广东)新能源有限公司
Dawei (Guangdong) New Energy Co., Ltd.

Document
Revision
文件版本:01

DATE 日期:
2023/12/4

Page 页面:
共 12页 第 2页

Amendment Records
文件修订履历

Rev No. (版本)	Description 修订内容	Amendment Pages 修订页次	Revised By 修订人	Amendment Date 修订日期
01	First Publish 初版发行	/	罗正文	2023/12/4



达伟(广东)新能源有限公司
Dawei (Guangdong) New Energy Co., Ltd.

Document
Revision
文件版本:01

DATE 日期:
2023/12/4

Page 页面:
共 12页 第 3页

Catalogue 目录

1.Preface (前言)	4
2.Description (说明)	4
3.System architecture (系统架构)	5
4.Product Appearance (产品外观)	6
5.Working Condition (工作条件)	7
6.Storage Condition (储存环境)	7
7.Product Introduction (产品简介)	8
8.Product Parameter(产品参数).....	9
9.Precautions and Safety Instructions (安全守则).....	11
10.Warranty(质量保证)	11
11.Consultation (技术咨询)	12

Title 文件名称	Specification for Solar Inverter 太阳能逆变器规格书	Document Revision 文件版本:01
File NO. 文件编号		Page 页次: 共 12页 第 4页
Controlled NO. 受控号		DATE日期: 2023/12/4

1. Preface (前言)

This Product Specification describes the technique requirements and precaution notes of Specification for Solar Inverter to be supplied to customer by Dawei (Guangdong) New Energy Co., Ltd.

本标准规范描述了达伟(广东)新能源有限公司生产的太阳能逆变器的技术要求和注意事项。

Note 1. This Product Specification is generally only a descriptive reference for the product, and does not make or imply a guarantee of the performance or quality of the product. The design/specifications of the machine are subject to modification without prior notice. Please contact Techfine for the latest information.

注释 1. 本标准规范一般仅是产品的描述性参考,并不构成或暗示对产品性能或质量的保证。机器的设计/规格如有更改,恕不另行通知。请联系 Techfine 获取最新信息。

2. Description (说明)

2.1 Product 产品: Solar Inverter 太阳能逆变器

2.2 Product Model 产品型号: DW-G-6248JMH-6.2KW

2.3 Designation 名称:

DW-G-6248JMH-6.2KW

① ②③④⑤⑥

Item 项目	Note. 注释
①	The letter "G*" defines Name of Product Series. "G*"代表产品系列的名称。
②	The letter "62" defines Rated AC Output Power. "62"代表额定交流输出功率为 6200 W。
③	The letter "48" defines System Operating Voltage. "48"代表系统工作电压为 48 VDC。
④	The letter "J" defines the second version of the motherboard. "J"代表第二版本的主板。
⑤	The letter "M" defines Solar Controller. "M"代表太阳能控制器为 MPPT 控制器。
⑥	The letter "H" defines High-voltage Version. "H"代表高压版。

Title 文件名称	Specification for Solar Inverter 太阳能逆变器规格书	Document Revision 文件版本:01
File NO. 文件编号		Page 页次: 共 12页 第 5页
Controlled NO. 受控号		DATE日期: 2023/12/4

3. System architecture (系统架构)

The following figure shows the system application scenarios of the product. A complete system consists of the following parts: 下图显示了该产品的系统应用场景。一个完整的系统由以下部分组成:

1. PV Panel: light energy can be converted into DC energy, which can be charged by the inverter, or directly converted into AC power to power the load. 光伏组件: 将光能转换为直流电能, 可通过逆变器为电池充电, 或直接逆变为交流电, 为负载供电。

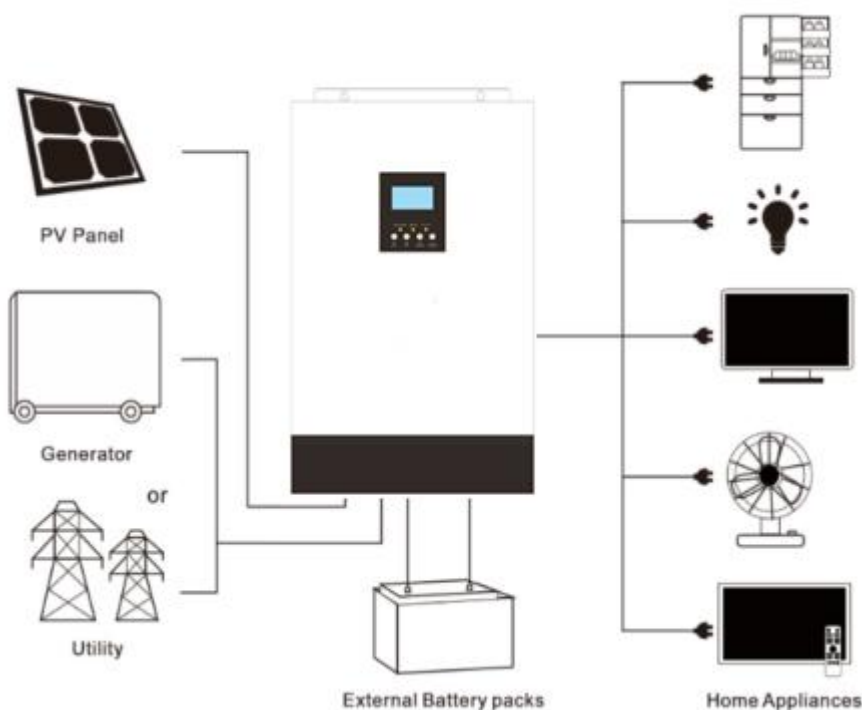
2. Utility or generator: connected to the AC input, can charge the battery while supplying the load. The system can also generally operate without mains power or generators when the cells and photovoltaic modules power the load. 市电或发电机: 与交流电输入相连, 可以在供应负载的同时为电池充电。当电池和光伏组件为负载供电时, 该系统一般也可以在没有市电或发电机的情况下运行。

3. Battery: The function of the battery is to ensure the normal power supply of the system load in the case of insufficient photovoltaic and no mains power. 蓄电池: 蓄电池的作用是在光伏不足和没有市电的情况下保证系统负载的正常供电。

4. Home Appliances: Various home and office loads, including refrigerators, lamps, televisions, fans, air conditioners, and other AC loads. 家庭负载: 可以连接各种家庭和办公室负载, 包括冰箱、灯具、电视、风扇、空调和其他交流负载。

5. Inverter: Energy conversion device for the entire system. 逆变器: 整个系统的能量转换装置。

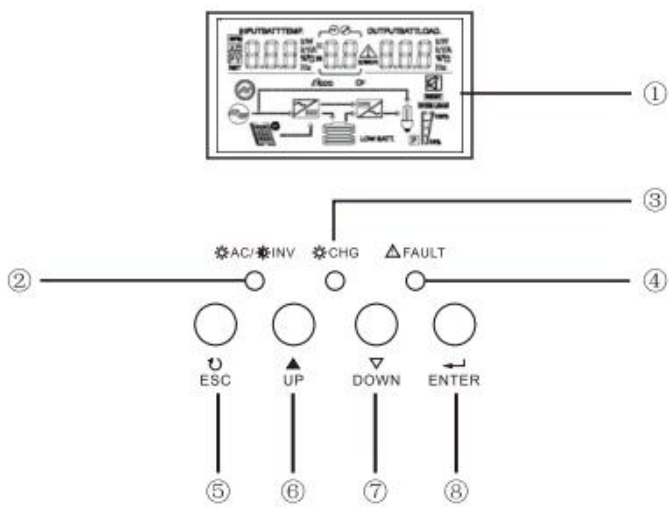
The actual application scenario determines the specific system wiring mode 实际应用场景决定了具体的系统布线方式。



Title 文件名称	Specification for Solar Inverter 太阳能逆变器规格书	Document Revision 文件版本:01
File NO. 文件编号		Page 页次: 共 12页 第 6页
Controlled NO. 受控号		DATE日期: 2023/12/4

4. Product Appearance (产品外观)

4.1 LCD Screen (液晶显示屏)

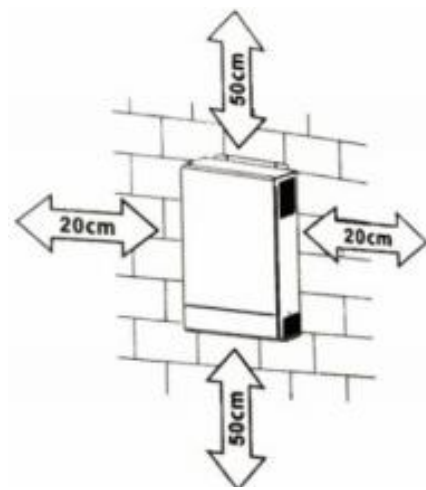


Item 项目	Name 名称
①	LCD display 液晶显示器
②	AC Mode Indicator 市电指示灯/ Inverter Mode Indicator 逆变指示灯
③	Charging Indicator 充电指示灯
④	Alarming Indicator 报警指示灯
⑤	ESC 退出
⑥	UP 向上键
⑦	DOWN 向下键
⑧	ENTER 确认键

Title 文件名称	Specification for Solar Inverter 太阳能逆变器规格书	Document Revision 文件版本:01
File NO. 文件编号		Page 页次: 共 12页 第 7页
Controlled NO. 受控号		DATE日期: 2023/12/4

5. Working Condition (工作条件)

G* series is limited to indoor use (protection level IP20). Before choosing a work location, please consider the following factors: G*系列仅限于室内使用(防护等级 IP20), 在选择工作地点之前, 请用户考虑以下几点因素:



- Proper temperature(inverter can operate in the indoor environment of 0°C-40°C,but the ideal operating temperature is 0°C~25°C). 合适的温度(逆变器可在 0°C-40°C的室内环境中工作, 但理想的工作温度为 0°C~25°C)。

- Mount on a solid surface. 安装在固体表面上。

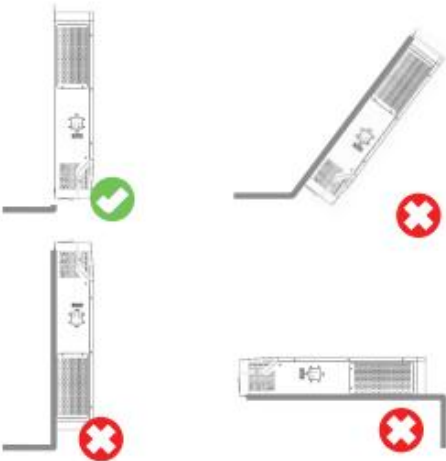
- Install this inverter at eye level in order to allow the LCD display to be read at all times. 将该逆变器安装在眼睛水平位置, 以便随时读取 LCD 显示屏。

- For proper air circulation to dissipate heat,allow a clearance of approx.20 cm to the side and approx20cm.50 cm above and below the unit. 为了使空气适当循环以散热,应在装置侧面留出约 20CM 的间隙, 装置上方和下方留出约 50CM 的间隙。

- Do not install the inverter near highly flammable and potentially explosive areas. 不要将逆变器安装在靠近高度易燃物的地方和潜在的爆炸性区域。

- Do not install the inverter and lead-acid batteries in a confined space. 不要将逆变器与铅酸电池安装在密闭空间。

- Inverters must be mounted vertically on the wall at 90 degrees and cannot be placed inverted, horizontally or at other angles. 逆变器必须以 90 度垂直安装在墙上, 不能倒置、水平或以其他角度地放置。



6. Storage Condition (储存环境)

- Place in a dust-free,dry and ventilated place. 放置于无尘、干燥、通风处。

- Ambient Temperature for storage:-25°C~55°C,0-90%(no condensation).. 储存的环境温度: -25°C~55°C, 0-90% (无冷凝)。

- Keep away from corrosive gases and liquids. 远离腐蚀性气体和液体。

Title 文件名称	Specification for Solar Inverter 太阳能逆变器规格书	Document Revision 文件版本:01
File NO. 文件编号		Page 页次: 共 12页 第 8页
Controlled NO. 受控号		DATE日期: 2023/12/4

7. Product Introduction (产品简介)

G* series is a new type of photovoltaic energy storage inverter control inverter integrating photovoltaic energy storage & mains charging and energy storage, with ac sine wave output. It uses the DSP control, through the advanced control algorithm, with high response speed, reliability, and industrial standard characteristics.

G*系列是一种集光伏储能&市电充电和储能于一体的新型光伏储能逆变控制逆变器，交流正弦波输出。它采用 DSP 控制，通过先进的控制算法，具有高响应速度、可靠性和工业标准的特点。

Features 特点

☆ It has dual activation function during lithium-ion battery dormancy, and activation of lithium-ion battery can be triggered by both AC power supply and photovoltaic power supply connection.

具有锂离子电池休眠时的双重激活功能；市电/光伏电源接入均可触发锂离子电池的激活。

☆ 360-degree protection, with complete short circuit protection, over current protection, over under voltage protection, overload protection and other functions.

360°保护，具有完整的短路保护、过电流保护、过欠压保护、过载保护等功能。

☆ Humanized alarm function and perfect online protection function, Ensure safe operation of the system in use, Automatic switching, Can realize unattended. Stable performance, Security and Reliable, long service life.

人性化的报警功能和完善的在线保护功能，确保系统在使用中的安全运行，自动切换，可实现无人值守。性能稳定，安全可靠，使用寿命长。

☆ Support connection of multiple types of energy storage batteries, including lead-acid batteries and lithium-ion batteries.

支持铅酸电池和锂离子电池等多种类型的储能电池的连接。

☆ LCD large screen dynamic flow chart design, easy to understand the system data and running state.

LCD 大屏幕动态流程图设计，便于了解系统数据和运行状态。

☆ Pure sinusoidal output, strong load capacity, low noise, high conversion efficiency.

输出纯正弦波，带载能力强，工作噪声低，转换效率高。

☆ Built-in solar charging controller, high charging efficiency, To cope with special situations without mains.

内置太阳能充电控制器，充电效率高，可应对无市电的特殊情况。

Title 文件名称	Specification for Solar Inverter 太阳能逆变器规格书	Document Revision 文件版本:01
File NO. 文件编号		Page 页次: 共 12页 第 9页
Controlled NO. 受控号		DATE日期: 2023/12/4

☆With its own BMS communication function, no additional cost. Communicate with BMS board using 485; compatible generator self-start, RS232 communication and WIFI.

自带 BMS 通讯功能，无需额外增加成本。使用 485 方式与 BMS 板通讯；兼容发电机自启、RS232 通讯、WIFI。

8. Product Parameter (产品参数)

Model 型号	DW-G-6248JMH-6.2KW	
Input 输入	Input Sources 输入制式	L+N+PE
	Rated Input Voltage 额定输入电压	220/230/240VAC
	Voltage Range 电压范围	90-280VAC±3V (APP Mode 正常模式) 170-280VAC±3V (UPS Mode UPS 模式)
	Frequency 频率范围	50Hz/60Hz(Auto Adaptive 自适应)
Output 输出	Output Voltage 输出电压	220/230/240VAC±5%
	Output Frequency 输出频率	50/60Hz±0.1%
	Output Waveform 输出波形	Pure Sine Wave (纯正弦波)
	Rated Capacity 额定功率	6200W
	Peak Power 峰值功率	12400VA
	Over Load Ability 过载能力	Battery Mode 电池模式: 21s@105%~150% Load,11s@150%~200% Load,400ms@>200% Load
	Transfer Time(adjustable) 切换时间 (可设)	Computers 计算机(UPS Mode UPS 模式)10ms Appliance 家用电器(APP Mode APP 模式)20ms
Battery 电池	Battery Voltage 额定电压	
	Adjustable 可设	Constant Charging Voltage 恒压充电电压
		Floating Charging Voltage 浮充充电电压
Interface 接口	RS232	Baud Rate 波特率 2400
	Communication Port 扩展插槽通讯接口	Lithium Battery BMS Communication Card 锂电池 BMS 通信卡,Wifi Card WIFI 卡,Dry Contact 干接点卡.

Title 文件名称	Specification for Solar Inverter 太阳能逆变器规格书	Document Revision 文件版本:01
File NO. 文件编号		Page 页次: 共 12页 第 10页
Controlled NO. 受控号		DATE日期: 2023/12/4
Model 型号	G*6248JMH	
Chargers 充电器	PV Charging Mode PV 充电方式	MPPT
	MAX PV Input Power PV 最大输入功率	6200W
	Maximum PV input voltage 最大光伏输入电压	500Vdc
	MPPT Tracking Range MPPT 跟踪范围	120~500Vdc
	Best PV voltage 最佳 Vmp 电压	300~400Vdc
	Maximum PV input current 最大 PV 输入电流	18A
	MAX PV Charging Current 最大 PV 充电电流	100A
	MAX AC Charging Current 最大市电充电电流	80A
	MAX Charging Current 最大充电电流	120A
Display 显示	LCD Display LCD 显示	Display Running Mode/Loads/Input Output etc 可显示运行模式/负载/输入/输出等
Environme nts 环境参数	Operating Temperature 运行环境温度	-10°C~50°C
	Humidity 运行环境湿度	20%~95%(Non-condensing) (无凝露)
	Storage Temperature 储存温度	-15°C~45°C
	Noise 噪音	≤50db

Title 文件名称	Specification for Solar Inverter 太阳能逆变器规格书	Document Revision 文件版本:01
File NO. 文件编号		Page 页次: 共 12页 第 11页
Controlled NO. 受控号		DATE日期: 2023/12/4

9. Precautions and Safety Instructions (安全守则)

Follow the warnings and instructions indicated in the product and accompanying printed matter.

请遵守产品和随附印刷品中的警告和说明。

The previous power supply must be disconnected before wiring. After the input power is cut off, there will still be high voltage inside the Inverter supply. Do not open the chassis to touch the internal components, to avoid injury to the operator and the product.

接线前必须断开原电源。在输入电源被切断后，逆变器电源内部仍会有高压。请勿打开机箱接触内部部件，以免对操作人员和产品造成伤害。

The installed cables must meet the requirements. Please do not overload the cables, avoid fire and electric shock accidents.

安装的线缆必须符合要求。请勿使电缆过载，以免发生火灾和触电事故。

10. Warranty (质量保证)

The warranty period of Solar Inverter is made according to business contract. However, even though the problem occurs within this period, DW Solar won't replace a new Solar Inverter for free as long as the problem is not due to the failure of DW Solar manufacturing process or is due to customer's abuse or misuse.

自出货之日起，太阳能逆变器的保质期按业务合同规定。然而，即使问题发生在这段时间内，只要问题不是由于DW Solar 制造工艺问题或由于客户滥用或误用造成的质量问题，DW Solar 不承诺免费更换新的太阳能逆变器。

The Company shall not be liable for any damage caused by: 本公司对以下原因造成的损害不承担责任:

1. Damage caused by improper use or use in the wrong place. 因使用不当或在错误地点使用而造成的损坏。
2. The open-circuit voltage of the photovoltaic module exceeds the maximum allowable voltage. 光伏组件的开路电压超过最大允许电压。
3. Damage caused by the operating temperature exceeding the limit operating temperature range 工作温度超过限制的工作温度范围而造成的损坏
4. Unauthorized personnel shall remove and repair the inverter. 未经授权的人员对逆变器进行拆卸和维修。
5. Damage caused by force majeure: damage during transportation or handling of the inverter. 不可抗力造成的损坏: 在运输或处理逆变器过程中的损坏

Title 文件名称	Specification for Solar Inverter 太阳能逆变器规格书	Document Revision 文件版本:01
File NO. 文件编号		Page 页次: 共 12页 第 12页
Controlled NO. 受控号		DATE日期: 2023/12/4

10. Consultation (技术咨询)

As to the obscurity, contact the following:

Address: Dawei (Guangdong) New Energy Co., Ltd. —#15 No.8, Minxin South Rd., Gangkou Town, Zhongshan, Guangdong Tel No. :

Tel No. :

Fax No. :

Website: www.dw-solar.com

如有疑问，请按以下方式咨询：

厂址：达伟(广东)新能源有限公司—广东省中山市港口镇民新路8号15卡

电话：

传真：

网址：www.dw-solar.com